

Custom Split-Nut Hook for Mobile Cranes

Customer Name:		Date:
Address:		City, State, Zip Code:
Phone:		Fax:
Customer Contact Name:		Quantity: Requested Delivery Date:

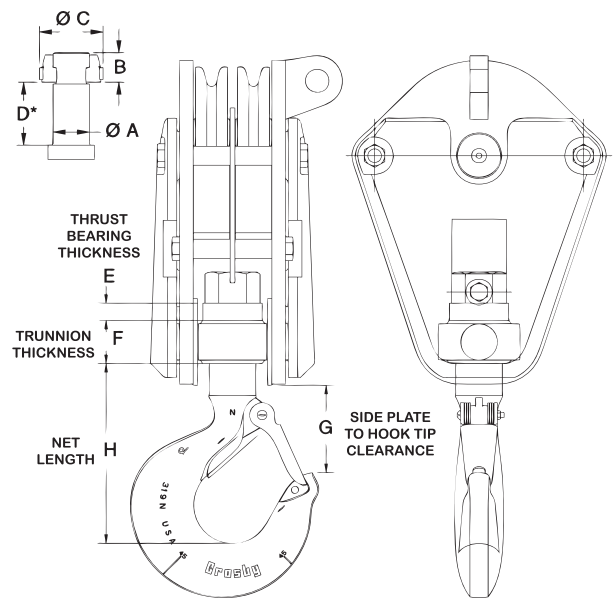
- INTERNAL USE ONLY - Crosby / McKissick Proposal Number:

Crosby McKissick® patented (U.S. Patent 7,000,905 and 7,293,763) Split-Nut Hook Retention System featured on McKissick® crane blocks makes inspection easier. The hook can be disassembled, inspected and put back into service in a fraction of the time of a conventional threaded nut.

Available Configurations									
319 Hook Type and Working Load Limit 4:1 Alloy (t)	Crosby Hook ID Code	"A" Available Shank Dia.		"B" Dimension		"C" Dimension		"D" Maximum Grip Length	
		(in.)	(mm)	(in.)	(mm)	(in.)	(mm)	(in.)	(mm)
15	L	1.75	44.4	1.62	41.1	3.25	82.5	5.38	137
22	N	2.00	50.8	1.62	41.1	3.50	88.9	5.38	137
30	O	2.50	63.5	2.31	58.7	4.38	111	15.69	398
37	P	2.50	63.5	2.31	58.7	4.38	111	21.69	551
45	S	3.00	76.2	2.75	69.9	5.50	140	21.25	540
60	T	3.00	76.2	2.75	69.9	5.50	140	23.25	591
75	U	4.00	102	3.75	95.2	7.50	190	19.25	489

Steps to fit your block with the patented McKissick® Split-Nut Hook Retention System

1. Measure side plate to hook tip clearance and record in box "G" below. (The net length "H" dimension may be affected by holding the "G" dimension. If there is adequate clearance at tip of hook, the net length "H" dimension may be the dimension to specify).
2. Remove hook and thrust bearing from existing crane block.
3. Measure shank diameter and record in box "A" below.
4. Measure nut thickness and record in box "B" below. The standard "B" dimension (shown above) is a minimum and will be utilized unless actual measured "B" dimension is required.
5. Measure nut diameter and record in box "C" below. The standard "C" dimension (shown above) is a minimum and will be utilized.
6. Measure thrust bearing thickness and record in box "E" below. If known, record thrust bearing manufacturer and stock number below.
7. Measure trunnion thickness through the hook shank hole and record in box "F" within 1/32".
8. The required grip length "D" will be the addition of the "E" and "F" dimensions plus 0.06" for running clearance.
9. Determine the required hook size based on shank diameter and tonnage. Other shank /hook / tonnage combinations may be available. Your supplied information will be reviewed for the Split-Nut application.
10. Complete the form and forward to your local Authorized Distributor for quotation.



Thrust Bearing Standard						
Shank Ø		Bearing Outside Dia.		Bearing Thickness		Bearing Description
(in.)	(mm)	(in.)	(mm)	(in.)	(mm)	
1.75	44.4	3.266	83.0	0.938	23.8	T-176
2.00	50.8	3.672	93.3	1.062	26.9	T-202
2.50	63.5	4.375	111	1.063	27.0	T-251
3.00	76.2	5.250	133	1.313	33.4	T-301-W
4.00	102	7.000	178	1.750	44.4	40-TP-114

Required Dimensions			
Frame Code or other distinguishable size designator:		Material Type:	Check One: <input type="radio"/> Carbon <input type="radio"/> Alloy
Working Load Limit:		Thrust Bearing Identification:	
Check One: <input type="radio"/> Tons <input type="radio"/> Metric Tonnes		Check One:	
Dimension A:	<input type="text"/> o(in.) <input type="text"/> o(mm)	Dimension E:	<input type="text"/> o(in.) <input type="text"/> o(mm)
Dimension B:	<input type="text"/> o(in.) <input type="text"/> o(mm)	Dimension F:	<input type="text"/> o(in.) <input type="text"/> o(mm)
Dimension C:	<input type="text"/> o(in.) <input type="text"/> o(mm)	Dimension G:	<input type="text"/> o(in.) <input type="text"/> o(mm)
Dimension D*:	<input type="text"/> o(in.) <input type="text"/> o(mm)	Dimension H:	<input type="text"/> o(in.) <input type="text"/> o(mm)
Hook Latch Kit Check One: <input type="radio"/> SS-4055 Flipper latch <input type="radio"/> PL / PL-N Flapper latch <input type="radio"/> S-4320 Latch For personnel hoisting applications, only a PL, PL-N or S-4320 shall be utilized.			

*D = Bearing Thickness "E" + Trunnion Thickness "F" + .06" running clearance.

For additional information concerning customer design products, contact:
 U.S.A. - Crosby's Special Engineered Products Group at 1-800-777-1555
 Canada - Crosby Canada at (905) 451-9261
 Europe - N.V. Crosby Europe at 32-15-757125 (26)

Copyright © 2011 The Crosby Group LLC
 All Rights Reserved



Special Products