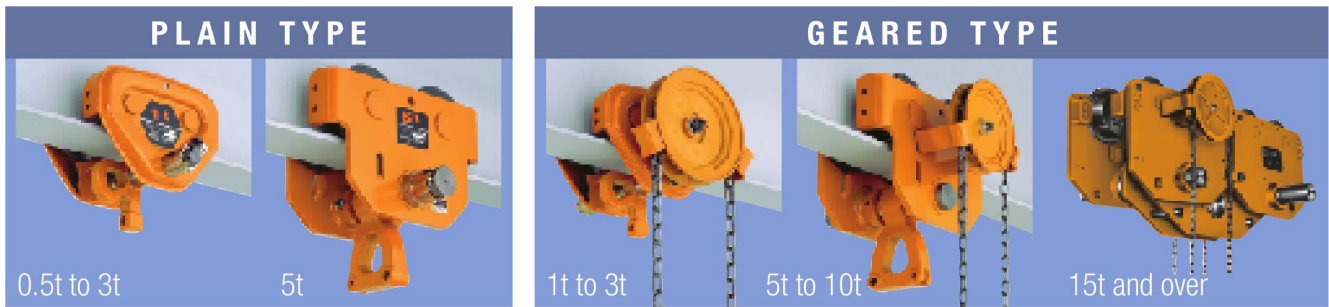


KITO UNIVERSAL TROLLEYS TS SERIES

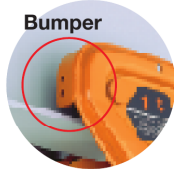


•Shape of the Suspender for 3t is similar to the shape of the Suspender for 5t. •Shape of the Suspender for 3t is similar to the shape of the Suspender for 5t.

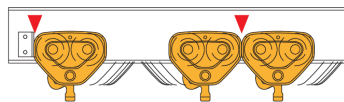
SMOOTH AND RELIABLE OPERATION

Bumpers (Protective Lugs)

KITO's TS Series Trolleys have bumpers, which hold trolley surely on the beam and guard against damage to a trolley and wheels arising from a collision with the stopper or between two trolleys. Buffers are available as option to install on the bumpers. Also, extended arms are available as option to install on the bumpers to help prevent damage to a hoist from collision between the hoists suspended from trolleys on the same beam.

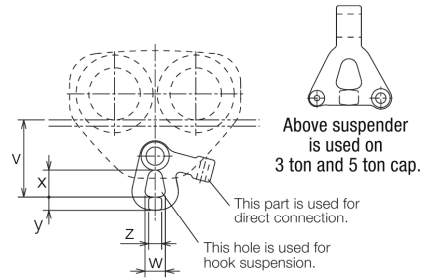
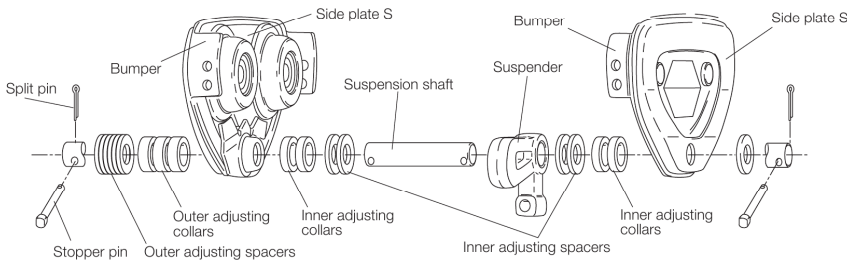


Buffer is prepared as option.



Wide selection of Beam width

Trolleys are adjustable for various widths of both tapered and flat flanges by changing the adjusting spacers. Also, they can fit on the beams up to 305mm-flange width by replacing suspension shaft and spacers, etc.



Ultra Light Model

Design of trolleys with KITO's experience made it possible to release the ultra light and compact trolleys.

Track Wheel with better Durability

Through KITO's unique press process and heat treatment, wheels have much better durability for long life.

Special Contour Wheels

Special attention has been given to the contour of steel trolley wheels in order to provide good contact between wheels and flange surfaces.

Pivot Mounted

Both side plates are pivot mounted so that trolleys can move freely at adequate angles with flange surface. Even if there are irregularities on flange surface such as welded joints, the weight of load is evenly distributed on all the four wheels.

Ball Bearings

High grade sealed ball bearings are used on all the wheels for smooth operation. So no lubrication is required.

SPECIFICATIONS

Rated Load (W.L.L.)(t)	Code		Flange Width Adjustability (mm)			Min. Radius for Curve (mm)	Mass (Net Weight) (kg)		Hand Chain Folded Length (m)	Dimensions (mm)				
	Plain Trolley	Geared Trolley	Standard	Option			TSP	TSG		v	w	x	y	z
				W20*	W30*									
0.5	TSP005	TSG005	50 to 102 (58 to 127)	103 to 203 (128 to 203)	204 to 305	1100 (1300)	4.5	12	2.5	93 (106)	26 (28)	33 (37)	14 (18)	14 (18)
1	TSP010	TSG010	58 to 127	128 to 203	204 to 305	1300	8.0	12	2.5	106	28	37	18	18
1.5	TSP015	TSG015	82 to 153	—	154 to 305	1500	14	18	2.5	129	32	40	22	22
2	TSP020	TSG020	82 to 153	—	154 to 305	1500	14	19	3.0	129	32	40	22	22
2.5	TSP025	TSG025	82 to 153	—	154 to 305	1700	23	27	3.0	144	36	44	27	25
3	TSP030	TSG030	82 to 153	—	154 to 305	1700	23	27	3.0	169	40	48	24	30
5	TSP050	TSG050	100 to 178	—	179 to 305	2300	50	56	3.5	228	60	70	33	36
7.5	—	TSG075	150 to 220	—	221 to 305	3000	—	112	4.0	connection with CB Series is hook suspension type for 7.5 ton and over cap. as standard.				
10	—	TSG100	150 to 220	—	221 to 305	3000	—	112	4.0					
15	—	TSG150	150 to 220	—	221 to 305	∞	—	265	4.5					
20	—	TSG200	150 to 220	—	221 to 305	∞	—	265	4.5					

•Figures in () are for TSG005. •*: W20 and W30 mean 203 and 305mm flange width adjustability as option.

•In case of 7.5t and over capacity, trolley wheels for tapered flange are standard. Wheels for flat flanges are available as option. If you prefer wheels for flat flanges, please specify it in advance.

•In case of only straight I-beam, 0.5ton plain trolley can be used on 57mm and less width beam and 1ton plain trolley and geared trolley can be used on 73mm and less width beam and 2.5 & 3ton plain and geared trolley can be used on 89mm and less.