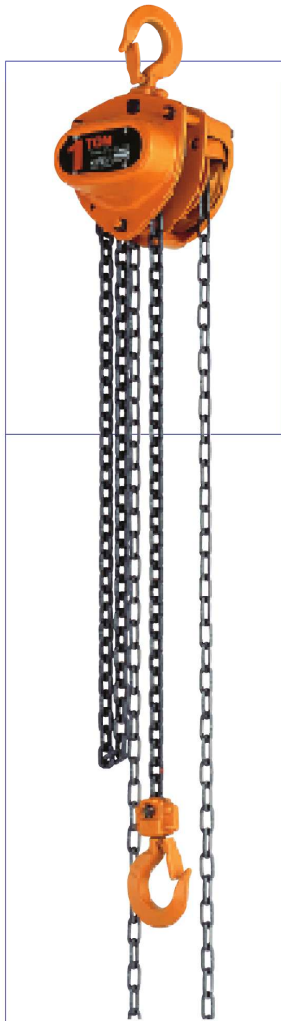


# variation

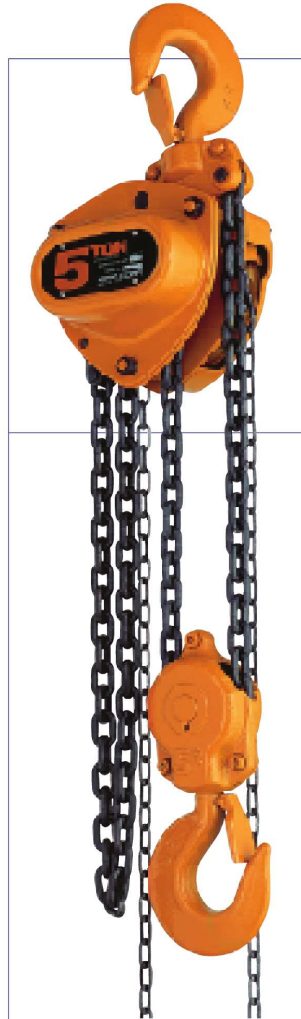
For details of appearance, specifications and dimensions, refer to page 6 and 7.

# Model M3

0.5t to 50t



0.5t~2.5t



3t~5t



7.5t~15t

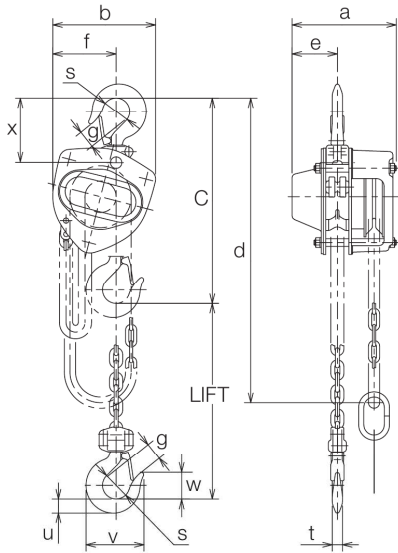


20t~50t

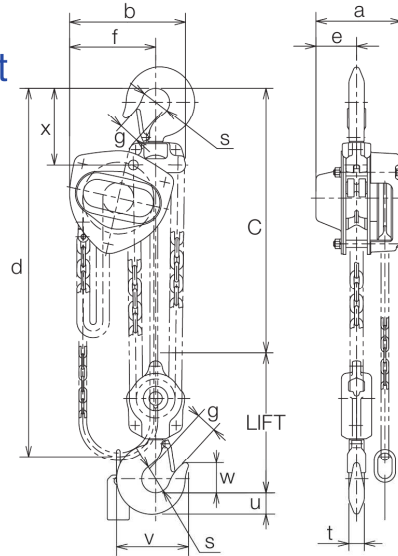
# specifications & dimensions

## KITO MIGHTY® Model M3

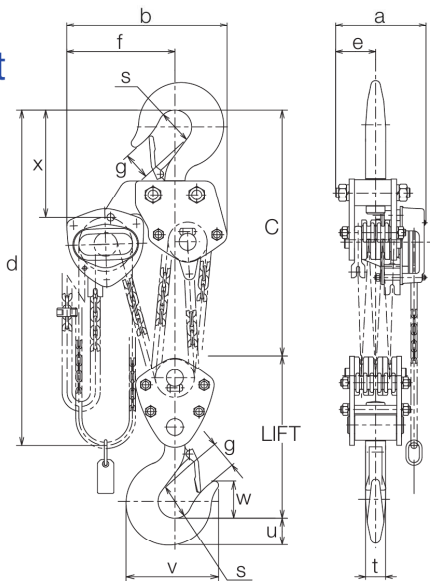
1t



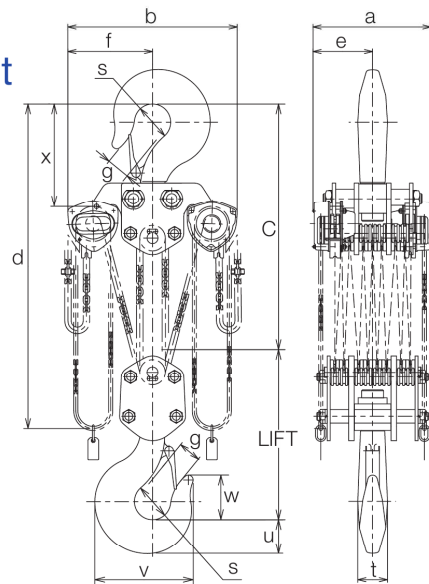
5t



15t



50t



•Any lift of chain is available upon request.

•As Kito chains are heat treated, splicing of the load chain is prohibited. In case longer lifting height is required, specify required lifting height when ordering.

## ■ SPECIFICATIONS

Rated Load (W.L.L.) (t)	Code	Std.Lift (m)	Hand Chain Folded Length (m)	Chain Pull to Lift Full Load (N)[kgf]	Chain O'hauled to Lift Load One Meter (m)	Load Chain Dia.xChain Fall (mm)	Test Load (t)	Mass [Net weight] (kg)	Shipping Mass [weight] [approx.](kg)	Mass [weight] in kg for Additional One Meter of Lift (kg)
0.5	CB005	2.5	2.5	235 [24]	25	5.0x1	0.75	10	10.5	1.5
1	CB010	2.5	2.5	284 [29]	43	6.3x1	1.5	11.5	12	1.8
1.5	CB015	2.5	2.5	343 [35]	57	7.1x1	2.4	14.5	15	2.1
2	CB020	3.0	3.0	353 [36]	70	8.0x1	3	20	21	2.3
2.5	CB025	3.0	3.0	323 [33]	99	9.0x1	3.8	27	28	2.7
3	CB030	3.0	3.0	353 [36]	114	7.1x2	4.8	24	26	3.2
5	CB050	3.0	3.5	333 [34]	198	9.0x2	7.5	41	43	4.4
7.5	CB075	3.5	4.0	343 [35]	297	9.0x3	9.5	63	66	6.2
10	CB100	3.5	4.0	353 [36]	396	9.0x4	12.5	83	91	7.9
15	CB150	3.5	4.5	363 [37]	594	9.0x6	20	155	165	11.4
20	CB200	3.5	4.5	353 [36] x2	396x2	9.0x8	25	235	305	15.8
30	CB300	3.5	4.5	421 [43] x2	495x2	9.0x10	40	310	400	19.2
40	CB400	3.5	4.5	421 [43] x2	693x2	9.0x14	50	480	630	26.2
50	CB500	3.5	4.5	480 [49] x2	792x2	9.0x16	62.5	640	790	29.7

- Other capacities are available upon request.
- Any lift of chain is available upon request.
- As Kito chains are heat treated, splicing of the load chain is prohibited.
- When ordering, specify lifting height.
- Chain Falls varies on each capacity.

## ■ DIMENSIONS (mm)

Rated Load (W.L.L.) (t)	Headroom :C	a	b	d	e	f	g	s	t	u	v	w	x
0.5	285	158	161	2500	69	99	27	35.5	12.1	17	77	35	89
1	295	162	161	2500	71	99	29	42.5	16	21.8	93	41	101
1.5	350	171	182	2500	78	112	34	47.5	19.5	26.5	106	47	119
2	375	182	202	3000	87	125	36	50	21.8	30	116	49	124
2.5	420	192	233	3000	91	143	40	53	24.3	33.5	126	53	136
3	510	171	235	3100	78	162	42.5	56	27.2	37.5	138	57	148
5	600	192	282	3600	91	194	46.5	63	34.5	47.5	161	67.5	172
7.5	770	192	373	4200	91	253	72.5	85	47.5	63	231	97.5	275
10	760	192	438	4200	111	308	72.5	85	47.5	63	231	97.5	295
15	1020	268	492	4700	119	337	80	100	60	80	275	110	320
20	1180	374	746	4800	187	373	81	110	67	90	301	125	351
30	1300	404	746	4800	202	373	103	125	85	112	367	143	400
40	1480	502	760	4900	251	380	96	145	123	133	412.5	182.5	445
50	1560	544	796	4900	272	398	100	165	135	155	447.5	202.5	467

