

ATTACHMENTS



HYDRAULIC BREAKER HAMMER



Model	Weight [kg]	Tool diameter [mm]	Impact energy (max) [Joule]
TG10 - TG12	310	72	750
TG14	350	80	830

MECHANICAL CLAMPS

Clamp for footpath curbs



TG10 - TG12 - TG14

Model	Weight [Kg]	Lifting capacity [Kg]
PLM	16	1500
PMC-RA	15	250
PMA	10	550
PME	15	1200
PLF	11	1300

Certified Quality System
ISO 9001:2008

Keep you updated on: www.tesmec.com

Tesmec S.p.A.

Headquarters
Via Zanica, 17/O - 24050 Grassobbio (BG) - Italy
Tel: +39.035.4232911 - Fax: +39.035.335664

Manufacturing facilities
Via Pertegalli, 2 - 24060 Endine Gaiano (BG) - Italy
Tel: +39.035.825024 - Fax: +39.035.826375

Manufacturing facilities
Via Don Brambilla, 26/28 - 23844 Sirone (LC) - Italy
Tel: +39.031.858311 - Fax: +39.031.853562

070

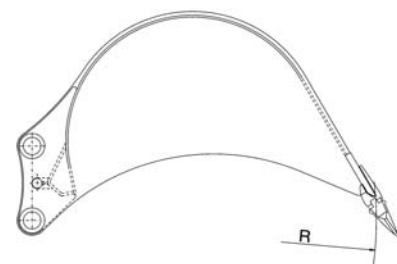
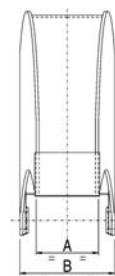
REVERSE BUCKET WITH TEETH



Model	Width [mm]	Range without tooth [mm]	Capacity SAE [l]		Teeth
			Empty	Full	
TG10 - TG12	400	1025	150	180	with CAT Teeth
	550	1000	177	213	
	700	1025	272	326	
	900	1025	356	423	
	1100	1025	440	527	
	400	1025	150	180	
550	1025	210	251		
700	1025	272	326		
900	1025	356	423		
1100	1025	440	527		
TG14	450	1210	207	248	with CAT Teeth
	600	1210	253	304	
	750	1210	321	385	
	950	1210	411	493	
	1200	1210	524	629	
	450	1210	207	248	
600	1210	253	304		
750	1210	321	385		
950	1210	411	493		
	1200	1210	524	629	

Extra digging size on request

REVERSE BUCKET WITH BIG RADIUS WITH TEETH



Model	Width [mm]	Range without tooth [mm]	A [mm]	B [mm]	Max Capacity SAE [l]	N. teeth
TG10 - TG12	400/250	1300	240	380	160	2 ESCO
	400/250	1300	240	380	160	2 CAT
TG14	450/300	1325	300	450	220	2 ESCO
	450/300	1325	300	450	220	2 STD

Certified Quality System
ISO 9001:2008

Keep you updated on: www.tesmec.com

Tesmec S.p.A.
Headquarters
Via Zanica, 17/O - 24050 Grassobbio (BG) - Italy
Tel: +39.035.4232911 - Fax: +39.035.335664

Manufacturing facilities
Via Pertegalli, 2 - 24060 Engino Gaiano (BG) - Italy
Tel: +39.035.825024 - Fax: +39.035.826375

Manufacturing facilities
Via Don Brambilla, 26/28 - 23844 Sirono (LC) - Italy
Tel: +39.031.858311 - Fax: +39.031.853562

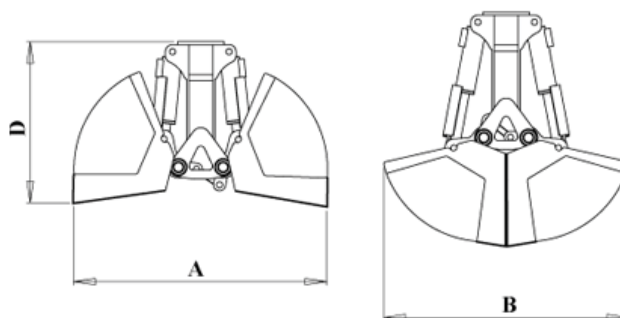
080

FRONT BUCKET WITH OR WITHOUT TEETH



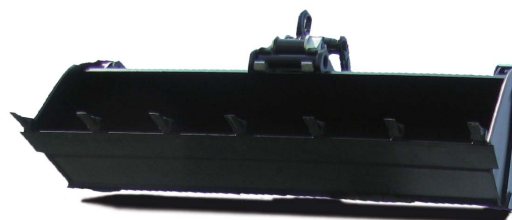
Model	Width [mm]	Range without tooth [mm]	Max Capacity SAE [l]		N. teeth
			Empty	Full	
TG10 - TG12	2300	925	657	805	6 ESCO
	2300	-	-	-	without teeth
	2300	-	-	-	6 CAT
TG14	2450	1125	890	1100	7 ESCO
	2300	-	-	-	7 CAT

CLAMSHELL BUCKET



Model	Width [mm]	Capacity SAE [l]	Max BAR	Weight [kg]	A	B	D
TG10 - TG12	270	175	250	240	1340	1230	940

BUCKET 4X1 WITH TEETH



Model	Width [mm]	Capacity SAE [l]	N° teeth
TG10 - TG12	2300	800	6 ESCO
TG14	2450	1000	6

Certified Quality System
ISO 9001:2008

Keep you updated on: www.tesmec.com

Tesmec S.p.A.

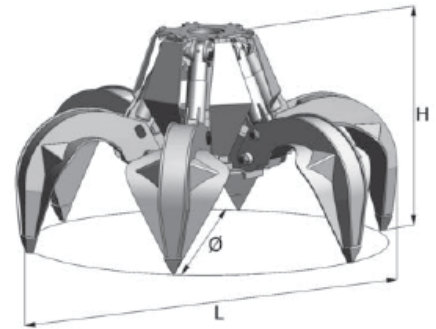
Headquarters
Via Zanica, 17/O - 24050 Grassobbio (BG) - Italy
Tel: +39.035.4232911 - Fax: +39.035.335664

Manufacturing facilities
Via Pertegalli, 2 - 24060 Endine Gaiano (BG) - Italy
Tel: +39.035.825024 - Fax: +39.035.826375

Manufacturing facilities
Via Don Brambilla, 26/28 - 23844 Sironè (LC) - Italy
Tel: +39.031.858311 - Fax: +39.031.853562

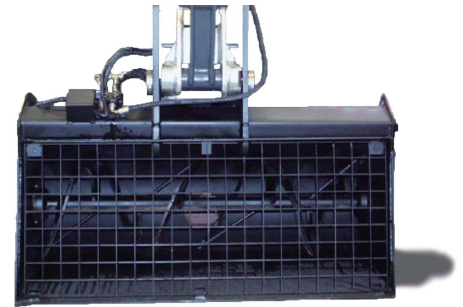
090

POLYP-GRAB BUCKET



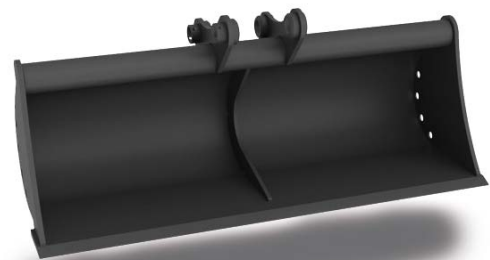
Model	Ø max opening	Weight [kg]	Capacity [l]	L		H		with rotor	N. teeth
	[mm]			open	closed	open	closed		
TG12	1330	270	230	1450	940	890	1050	360°	5

MIXING BUCKET



Model	Width [mm]	Capacity max [l]
TG10	1630	550
TG12	1900	800
TG14	1900	900

BUCKET FOR DITCH CLEANING



Model	Width [mm]	Capacity max [l]
TG12	1500	305

Certified Quality System
ISO 9001:2008

Keep you updated on: www.tesmec.com

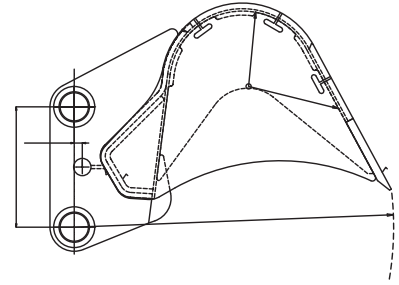
Tesmec S.p.A.

Headquarters
Via Zanica, 17/0 - 24050 Grassobbio (BG) - Italy
Tel: +39.035.4232911 - Fax: +39.035.335664

Manufacturing facilities
Via Pertegalli, 2 - 24060 Endine Gaiano (BG) - Italy
Tel: +39.035.825024 - Fax: +39.035.826375

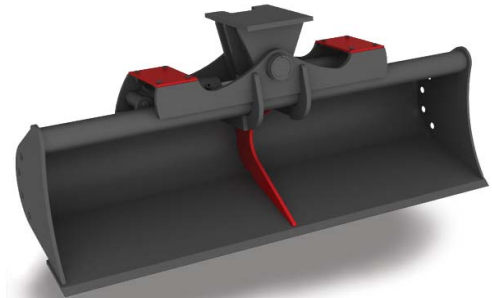
Manufacturing facilities
Via Don Brambilla, 26/28 - 23844 Sironè (LC) - Italy
Tel: +39.031.858311 - Fax: +39.031.853562

FIXED BUCKET FOR DITCH CLEANING WITHOUT TEETH



Model	Width [mm]	Capacity max [l]		N. teeth
		Empty	Full	
TG10 - TG12	2000	-	380	-
TG14	2000	-	380	-

SWIVELLING BUCKET FOR DITCH CLEANING WITHOUT TEETH



Model	Width [mm]	Capacity max [l]		N. teeth
		Empty	Full	
TG10	1200	-	-	-
TG12	2000	-	380	-
TG14	2000	-	380	-

RIPPER TEETH



Model	Length L [mm]
TG10 - TG12	950
TG14	1050

Certified Quality System
ISO 9001:2008

Keep you updated on: www.tesmec.com

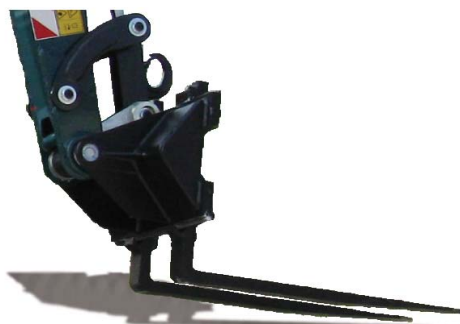
Tesmec S.p.A.

Headquarters
Via Zanica, 17/O - 24050 Grassobbio (BG) - Italy
Tel: +39.035.4232911 - Fax: +39.035.335664

Manufacturing facilities
Via Pertegalli, 2 - 24060 Engino Gaiano (BG) - Italy
Tel: +39.035.825024 - Fax: +39.035.826375

Manufacturing facilities
Via Don Brambilla, 26/28 - 23844 Sirono (LC) - Italy
Tel: +39.031.858311 - Fax: +39.031.853562

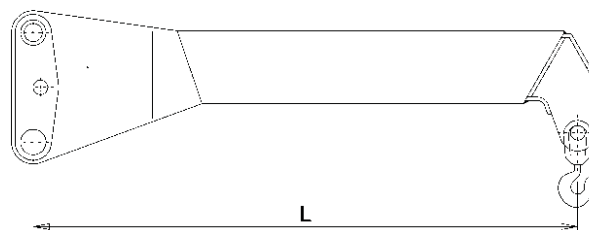
PALLET FORKS



Model	Width [mm]	Length [mm]	Weight [kg]
TG10 - TG12	1500	1200	4000
TG14	1500	1200	5000

Kit arrangement forks on the blade

LIFTING EXTENSION



Model	Length L [mm]	Max Length * [mm]	Weight [kg]
TG10 - TG12	500	7000	3000
	1500	8000	1000
	2500	9000	850
	3500	10000	750
TG14	1500	8500	-
	2500	9500	-
	3500	10500	-

* With front blade and central outriggers lowered

Certified Quality System
ISO 9001:2008

Keep you updated on: www.tesmec.com

Tesmec S.p.A.

Headquarters
Via Zanica, 17/O - 24050 Grassobbio (BG) - Italy
Tel: +39.035.4232911 - Fax: +39.035.335664

Manufacturing facilities
Via Pertegalli, 2 - 24060 Endine Gaiano (BG) - Italy
Tel: +39.035.825024 - Fax: +39.035.826375

Manufacturing facilities
Via Don Brambilla, 26/28 - 23844 Sirone (LC) - Italy
Tel: +39.031.858311 - Fax: +39.031.853562

ACCESSORIES



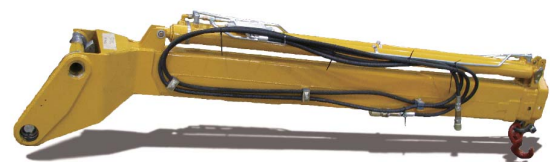
Model	Accessories
TG10 - TG12 TG14	Lifting Hook
	Hammer Plate
	Mower Plate
	Mower self leveling device
	Grab Bucket support

MAINTENANCE BASKET WITH REMOTE CONTROL



Model	Max Weight [kg]	Working height [mm]
TG10	200	9000
TG12	200	9300
TG14	200	9800

TELESCOPIC ARM



Model	Min length [mm]	Weight * [kg]	Max length [mm]	Weight * [kg]	Max height [mm]
TG10	8900	1000	12000	400	12100
TG12	9200	1000	12300	400	12400
TG14	9600	1000	12800	400	12800

Certified Quality System
ISO 9001:2008

* With front blade and central outriggers lowered

Keep you updated on: www.tesmec.com

Tesmec S.p.A.
Headquarters
Via Zanica, 17/O - 24050 Grassobbio (BG) - Italy
Tel: +39.035.4232911 - Fax: +39.035.335664

Manufacturing facilities
Via Pertegalli, 2 - 24060 Endine Gaiano (BG) - Italy
Tel: +39.035.825024 - Fax: +39.035.826375

Manufacturing facilities
Via Don Brambilla, 26/28 - 23844 Sirone (LC) - Italy
Tel: +39.031.858311 - Fax: +39.031.853562

PREDISPOSITION FOR DIRECTIONAL DRILL



Drilling unit dimensions		Metric	U.S.
L	Overall Machine Length	2.00 m	78 in
W	Overall Machine Width	0.68 m	27 in
H	Overall Machine Height	0.93 m	37 in
Drilling Unit Operating Mass		425 kg	937 lb
Entry Angle		0 ÷ 90°	
Operation		Metric	U.S.
Max Spindle Speed		110 rpm	
Max Spindle Torque		1660 Nm	1225 lbf x ft
Thrust Force		35600 N	8000 lbf
Pullback Force		46700 N	10500 lbf
Bore Diameter		63.5 mm	2.5 in
Hydraulic requirements		Metric	U.S.
Min & Max Hydraulic Flow Range		60 ÷ 80 l/min	16 ÷ 21 gal/min
Min & Max Hydraulic Pressure		220 ÷ 227 bar	3200 ÷ 3300 PSI

Certified Quality System
ISO 9001:2008

Keep you updated on: www.tesmec.com

Tesmec S.p.A.
Headquarters
Via Zanica, 17/0 - 24050 Grassobbio (BG) - Italy
Tel: +39.035.4232911 - Fax: +39.035.335664

Manufacturing facilities
Via Pertegalli, 2 - 24060 Engine Gaiano (BG) - Italy
Tel: +39.035.825024 - Fax: +39.035.826375

Manufacturing facilities
Via Don Brambilla, 26/28 - 23844 Sironè (LC) - Italy
Tel: +39.031.858311 - Fax: +39.031.853562